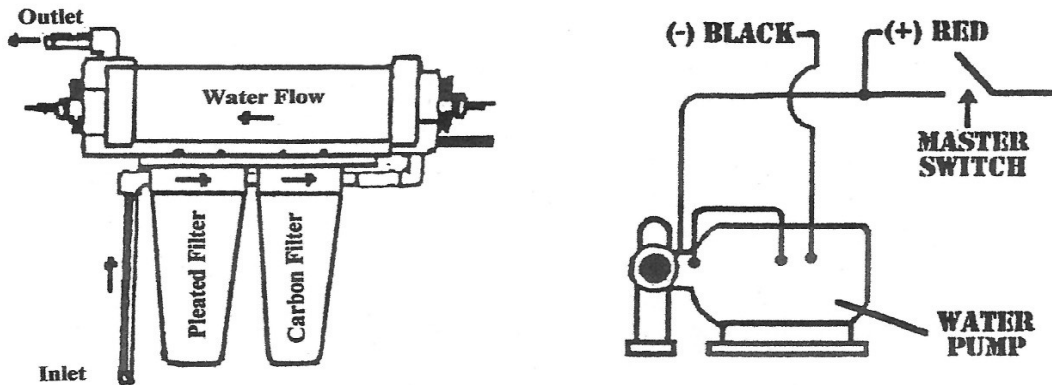


Model 1000-12V

INSTALLATION INSTRUCTIONS



DANGER: POSSIBLE HIGH VOLTAGE

Proper Voltage = 12-13.5v measured at the point of connection. Over 14v or under 11v will shorten the life of the ballast dramatically.

Very Important Notes:

1. UV light coming directly out of the light chamber will degrade plastic fittings and pipe. We STRONGLY encourage you to use a metal elbow or metal tubing out of the light chamber water connection.

2. Due to the fact that the ultraviolet bulb will need to be replaced after 9,000 hours of use, we STRONGLY urge you to install the WaterFixer in a place that allows enough clearance on either side of the unit for removal of the U.V. bulb.

1. Installation entails working with water and electrical systems... It is imperative that power to your water pump be turned off before installation begins.
2. The unit should be installed after your water tank and as close to the point of use as possible.
3. Open a faucet to drain the remaining water before interrupting the water line.
4. The incoming water should be routed to the WaterFixer as shown in Diagram 1, entering into the plastic filter housings, and exiting through the stainless steel ultraviolet chamber.
5. The system can be plumbed with the shut off valves and a bypass if you wish to be able to run your water while the WaterFixer is down for maintenance.
6. After connecting the water line, connect the power supply to your water pump as shown in Diagram 2. Be careful not to reverse the polarity as this will damage the power supply. The unit should be wired on the water pump master switch line (not on the pressure switch side), therefore, the red (+) wire from the unit should be connected to the pump circuit after the master switch but before the pump's pressure switch. The black (-) wire from the unit should be connected to the ground coming off the water pump motor.
7. After hooking up the electrical, reconnect power to the pump and turn pump on.
8. Check unit and water connections for leaks.
9. Run water for a long enough period to flush the line of non-treated water. (The amount of time will vary depending on the distance involved.)